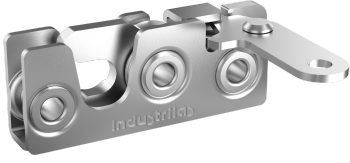


VECTOR ROTARY LATCH - RA PULL



Vector rotary latches offer concealed latch points with convenient push-to-close action. Vector Rotaries are suitable for a variety of applications that require high strength, robust and secure latching. They are employed either as single latch point or in a multipoint latching system. Available in either single or two stage latching. The two stage rotary offers a safety feature that securely latches a partially latched compartment. Specially engineered to offer minimized trigger release force that ensures smooth and easy opening.

Vector rotaries are combined with Vector actuators that connect to the rotary latch by Vector rods or cables, creating an optimized latching system with components easily and securely fitted together. Please see related products to choose your components for your complete Vector rotary latching system.



MATÉRIAU

Anti Vibration Bushing: TPE

Bushing: Acier, galvanisé

Cam: Hardened steel, anti-friction coating

Clip: Glass fibre reinforced polyamide (PA6GF30)

Housing: Acier, galvanisé

Gâche: Acier, galvanisé

Déclencheur: Hardened steel, zinc plated

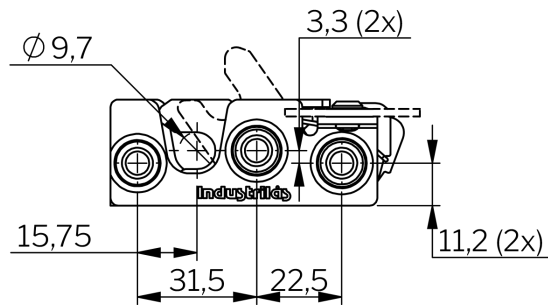
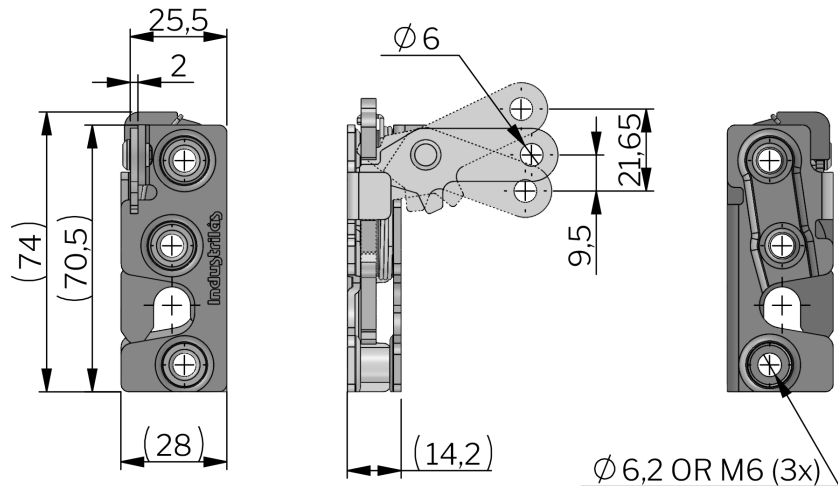
RELATED PRODUCTS

Needed components for a complete system:

2-850, 2-745, 2-746, 2-835, 2-860

Similar products: 2-750-01, 2-750-02, 2-750-03, 2-750-07

Use the Index Code at industrilas.com



IndustriLas
— When access counts —

Make your selections in each column to create your article number (AAAA-BBCDEFFG-HH)

AAAA Type	BB Matériau	C Type	D Type de mâchoire	E Trou de fixation	FF Déclencheur	G Gauche / Droite	HH Gâche
5223 Rotary for 9,4 mm striker	11 Acier, galvanisé	1 Détente simple	1 Mâchoire simple	0 Trou traversant	04 Tirette RA	1 Droite	00 Sans gâche
5224 Anti-BSR* Rotary for 9,4 mm striker		2 Double détente		1 fileté M6		2 Gauche	01 Avec boulon de gâche UNC 5/16-18
				2 UNC 1/4-20			02 Avec boulon de gâche M8
							03 Avec gâchette à boucle
							04 Avec gâchette rivetée

* Anti-BSR means no Buzz, Squeak or Rattle due to TPE anti vibration bushing.

